

# EPAL CP4 PALLET

1,100 x 1,300 mm



Safety and quality are of particular importance in the chemicals industry. Protecting employees, the environment and the load itself take priority. With the new quality-assured EPAL CP pallets, EPAL is closing a major gap in the chemicals industry's logistics chain. You can obtain EPAL CP pallets 1 - 9 from any one of the more than 1,500 licensed manufacturers and repairers. Supplier search under [www.epal.eu](http://www.epal.eu).

## FACTS & FIGURES

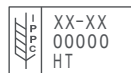
Materials: 15 boards of quality timber, 9 wood-chip or solid wood blocks, 87 nails. Produced according to the EPAL Technical Regulations.

<b>Length</b>	1,100 mm
<b>Width</b>	1,300 mm
<b>Height</b>	138 mm

## MARKINGS



"EPAL in oval" on the right-hand corner block.



IPPC symbol, country code, registration number of the national plant protection authority, heat treatment on the left-hand corner block.

**CP4**  
095-8-01

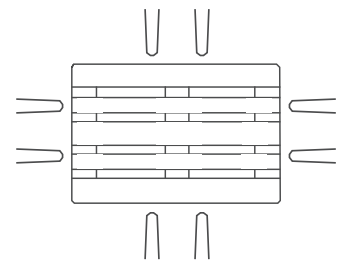
CP type marking and EPAL ID number (licence number-year-month) on the central block.



EPAL control staples

## HANDLING

4-sided accessibility and high quality enable efficient handling during production, storage and transportation all the way along the supply chain. Compatible with all (conventional) standard load carriers, industrial trucks and warehouse systems. Use: Mainly bagged goods.



## QUALITY CONTROL

EPAL load carriers around the world are subject to independent quality inspections carried out by external inspection organisations. This is the only way for EPAL load carriers to guarantee the consistently high quality that they offer the markets.



## ISPM 15



Compliance with the ISPM 15 standard is an essential condition for the unrestricted use of load carriers in the international movement of goods.

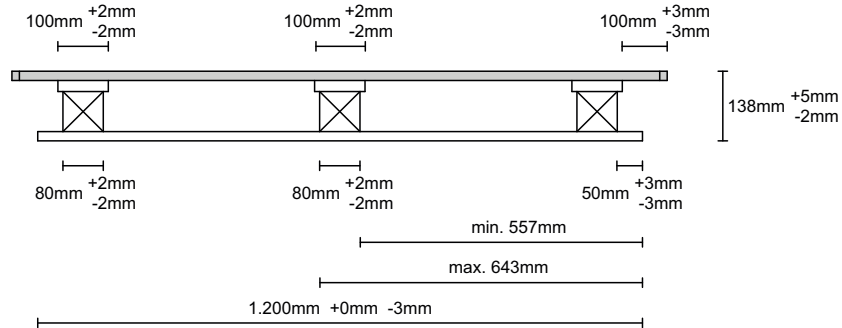
All EPAL CP pallets are therefore produced according to the stringent specifications of the IPPC and can thus be deployed around the globe. Local plant protection agencies will provide information on the countries that recognise the IPPC standard.

# EPAL CP4 PALLET

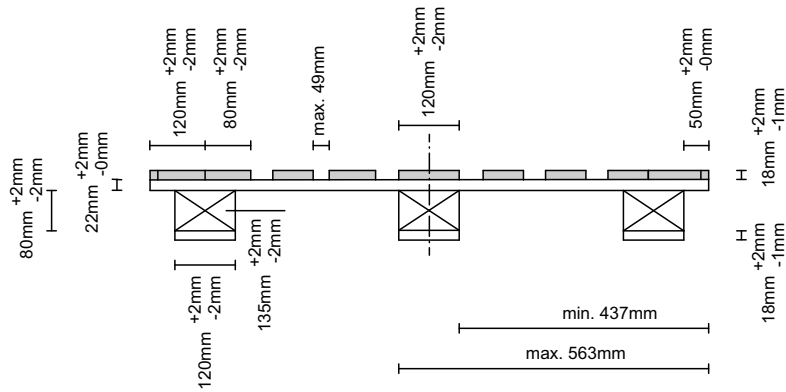
1,100 x 1,300 mm



1,300 mm side



1,100 mm side



Top view

